



CLEVIS HANGER

PLAIN, COPPER & ELECTRO- GALVANIZED



Designed for the suspension of non-insulated, stationary pipe lines.

- Carbon Steel
- UL® Listed
- FM Approved
- Available in Plain, Electro-Galvanized and Copper Finishes



CLEVIS HANGER - DIMENSIONAL DATA

Size Range	1/2" through 4"
Material	Carbon steel, 304 (11SS) and 316 (11SX) stainless steel.
Finish	Plain, painted, electro-galvanized, hot dip galvanized.
Service	Designed for the suspension of non-insulated, stationary pipelines.
Max. Temperature	Plain 650° F, Galvanized and Epoxy 450° F
Approvals	U.L.-U.L.C. listed (sizes 2 1/2"-8") and FM approved (3/4"-8"). Complies with Federal Specification WW-H-171-E (Type# 1), A-A-1192A (Type# 1) and Manufacturers Standardization Society MSS SP-58 and SP-69 (Type# 1).
Installation	Hanger load nut above the clevis must be tightened securely to assure proper hanger performance.
Adjustment	Vertical adjustment is provided, varying with the size of clevis. Tighten upper nut after adjustment.
Features	An economical attachment for light duty service.
Ordering	Specify pipe size, figure number, name and finish.
Notes	Upper lock nut must be tightened securely to assure proper hanger performance. Stainless steel hangers are recommended for applications where protection from corrosive environments is needed. Metric nut available upon request.
Caution	When an oversize clevis is used, a pipe spacer or multi spacer should be placed over clevis bolt to ensure that the lower U-strap will not move in on the bolt.



CLEVIS HANGER

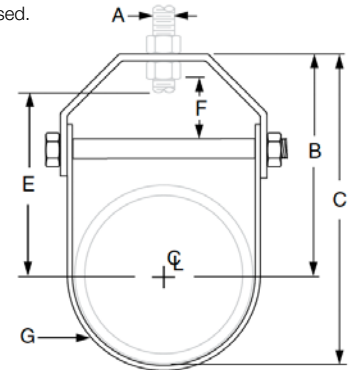
PLAIN, COPPER & ELECTRO- GALVANIZED



CLEVIS HANGER - DIMENSIONAL DATA

E dimension includes exposed rod threads beyond bottom of the hex nut. Exposed rod thread dimension is equal to the diameter of the rod used.

DIMENSIONS (IN) • LOADS (LBS) • WEIGHT (LBS)								
Pipe Size	Max Load	Weight	Rod Size A	B	C	Rod Take Out E	Adjustment F	G Width Lower
1/2	150	0.10	3/8	1-11/16	2-3/32	1-1/4	7/16	5/8
3/4	250	0.17		1-7/8	2-13/32	1-7/16	1/2	
1		0.18		2-5/32	2-13/16	1-11/16	5/8	
1-1/4		0.21		2-17/32	3-3/8	2-1/16	13/16	
1-1/2		0.24		2-13/16	3-13/16	2-3/8	15/16	
2		0.26	3-11/32	4-17/32	2-7/8	1-3/16		
2-1/2	350	0.50	3/8	3-27/32	5-9/32	3-1/4	1-5/16	3/4
3		0.59		4-15/32	6-7/32	3-7/8	1-5/8	
3-1/2		0.62		4-31/32	6-31/32	4-3/8	1-7/8	
4		0.77		5-17/32	7-25/32	4-15/16	2-1/8	



Standard Clevis Hangers - Domestic and Electro-Galvanized												
Pipe Size	Pipe O.D.	Material Size		Bolt	A	B	C	E*	F	WGT Each (lbs)	Max Rec Loads (lbs)	
		Top	Bottom									
1/2	0.840	13ga x 7/8	13ga x 7/8	1/4	3/8	1-11/16	2-1/16	15/16	7/16	0.18	610	
3/4	1.050	13ga x 7/8	13ga x 7/8	1/4	3/8	1-11/16	2-9/16	15/16	7/16	0.18	610	
1	1.315	13ga x 7/8	13ga x 7/8	1/4	3/8	2-1/16	2-11/16	1-1/4	5/8	0.22	610	
1-1/4	1.660	13ga x 7/8	13ga x 7/8	1/4	3/8	2-1/2	3-3/16	1-11/16	7/8	0.26	610	
1-1/2	1.900	12ga x 7/8	12ga x 7/8	1/4	3/8	2-7/8	3-11/16	2-1/16	1-1/16	0.34	610	
2	2.375	12ga x 7/8	12ga x 7/8	1/4	3/8	3-5/16	4-7/8	2-1/2	1-1/4	0.38	610	
2-1/2	2.875	9ga x 1-3/16	10ga x 1-3/16	5/16	1/2	4-1/2	5-7/8	3-3/8	1-15/16	0.86	1130	
3	3.500	9ga x 1-3/16	10ga x 1-3/16	5/16	1/2	4-3/4	6-1/2	3-11/16	1-3/4	0.96	1130	
3-1/2	4.000	8ga x 1-3/16	10ga x 1-3/16	5/16	1/2	5-7/8	7-15/16	4-13/16	2-9/16	1.14	1130	
4	4.500	8ga x 1-3/16	10ga x 1-3/16	3/8	5/16	5-15/16	8-3/16	4-9/16	2-1/8	1.26	1430	
5	5.563	4ga x 1-1/4	8ga x 1-1/4	1/2	5/16	5-11/16	8-7/16	4-5/16	1-7/16	2.04	1430	
6	6.625	3ga x 1-1/2	8ga x 1-1/2	1/2	3/4	6-13/16	10-1/8	5-3/16	1-3/4	2.80	1940	
7	7.625	3ga x 1-1/2	8ga x 1-1/2	1/2	3/4	7-13/16	11-5/6	6-3/16	2	3.24	2000	
8	8.625	3ga x 1-3/4	8ga x 1-3/4	5/8	3/4	8-1/16	12-7/16	6-1/4	1-7/8	4.46	2000	
10	10.750	3/8 x 1-3/4	3ga x 1-3/4	3/4	7/8	10	15-7/16	8	2-1/4	8.06	3600	
12	12.750	3/8 x 2	3ga x 2	3/4	7/8	11-9/16	18	9-9/16	2-13/16	10.34	3800	
14	14.000	1/2 x 2	1/4 x 2	7/8	1	12-9/16	19-9/16	10-9/16	2-9/16	14.80	4200	
16	16.000	1/2 x 2-1/2	1/4 x 2-1/2	1	1	13-15/16	21-15/16	11-15/16	2-13/16	21.00	4600	
18	18.000	1/2 x 2-1/2	1/4 x 2-1/2	1	1	16	25	13-7/8	3-3/4	24.40	4800	
20	20.000	5/8 x 3	3/8 x 3	1-1/4	1-1/4	17-1/2	27-1/2	15-1/8	3-3/4	47.00	4800	
24	24.000	5/8 x 3	3/8 x 3	1-1/4	1-1/4	19-3/4	31-3/4	17-3/8	4	54.00	4800	
30	30.000	3/4 x 3	3/8 x 3	1-1/4	1-1/4	24/18	29-1/8	21-1/2	4-3/4	69.50	6000	