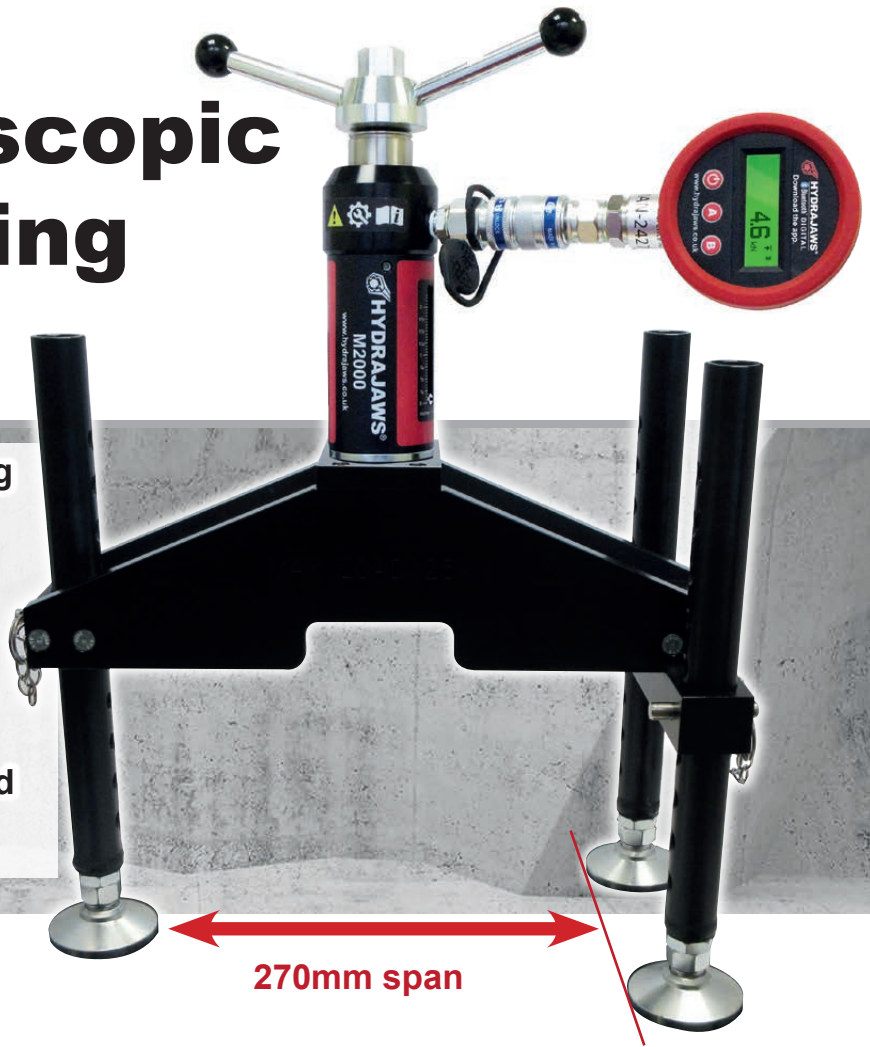


270mm Telescopic Load Spreading Bridge

The 270mm telescopic load spreading bridge is designed to attach easily to a Hydrajaws M2000 Fixing Tester.

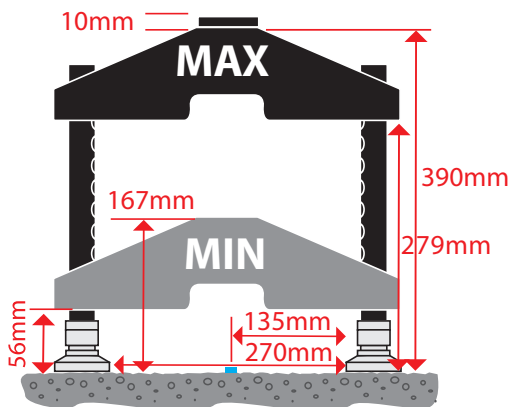
It can be installed so the tester is operated in two different positions for ease of access.

A thread coupler is supplied to extend whichever accessory is being used.



270 BRIDGE CONTENTS

- 1 x 270mm Load Spreading Bridge (Max load 25kN)
- 3 x Telescopic aluminum Legs
- 3 x Pins
- 1 x M12 Stud Coupler
- Ball Driver
- Screws
- Weight : 4Kg
- 360 degree leg rotation
- Attaches to M2000 Tester (Not supplied)



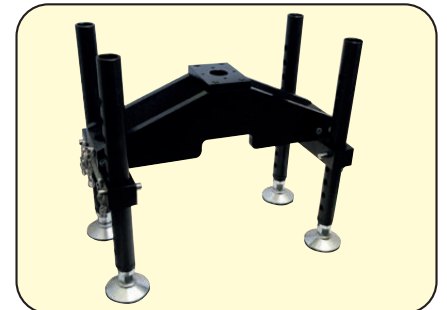
270 BRIDGE FEATURES



The legs are telescopic and can be adjusted easily and quickly to suit the height of the testing application.



Foot plates are available as an optional extra.



For extra stability the 270 bridge also comes in a four legged version.

For more information contact Hydrajaws Limited or go to www.hydrajaws.co.uk